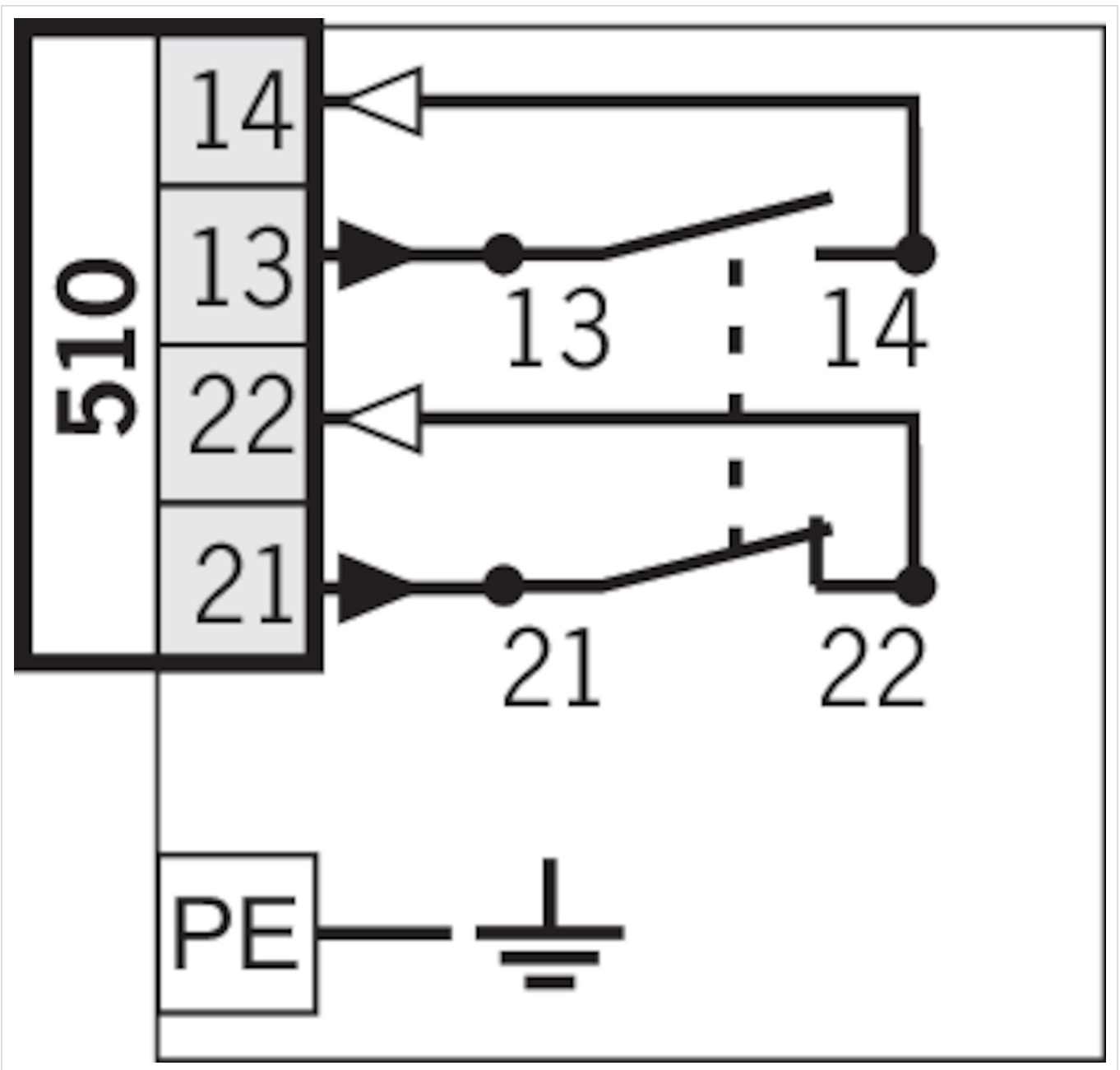
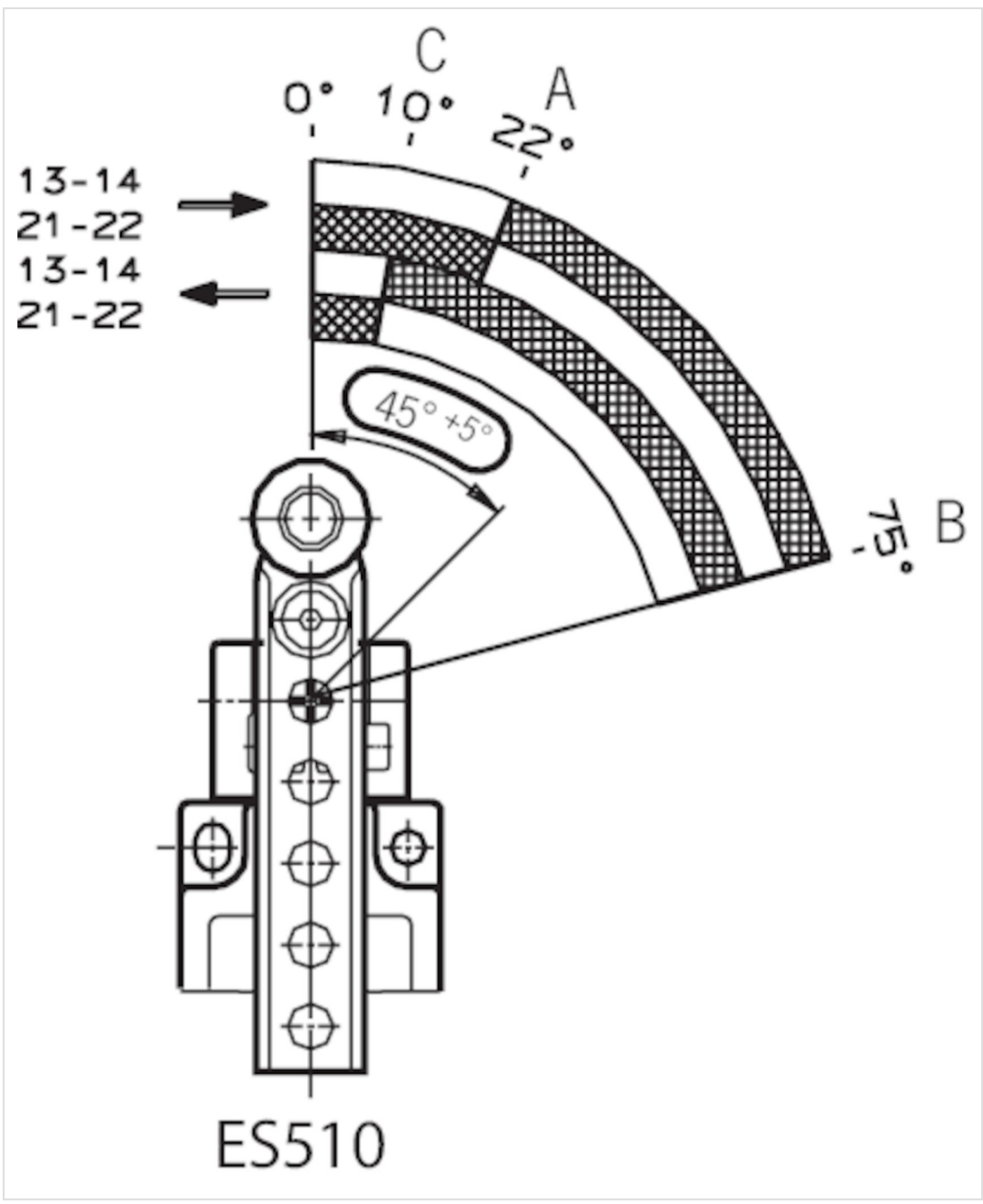



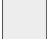
- A Operating point
- B End position
- C Reset point



Travel diagram



 Contacts closed

 Contacts open

A Operating point

B End position

C Reset point

Technical data

Approvals



Mechanical values and environment

Housing material	Housing	Anodized die-cast alloy
Weight	Net	0,3 kg
Ambient temperature		-25 ... 80 °C
Degree of protection		IP67
Mechanical life		30 x 10 ⁶
Contact material		Silver alloy, gold flashed
Switching principle		Snap-action switching contact
Installation orientation		Any
Number of door position NC contacts		1
Number of door position NO contacts		1
Connection	1 x	M20 x 1.5
Approach speed		0,5 ... 30 m/min
Actuating element	Plain bearing metal	Roller lever arm adjustable (d roller = 18 mm length 28 mm - 75 mm)
Actuating force		min.15 N

Electrical connection ratings

Thermal rated current I_{th}		6 A
Utilization category acc. to EN 60947-5-1	AC-15	6A 230V
	DC-13	6A 24V
	AC-12	10A 230V
Short circuit protection according to IEC 60269-1		6A gG
Rated insulation voltage U_i		250 V
Rated impulse withstand voltage U_{imp}		2,5 kV
Switching current	Min. at DC 24V	10 mA
Connection cross-section		0,34 ... 1,5 mm ²

Accessories

Connection material

Cable glands M20x1.5, cable Ø 6.5-9.5 mm



077683
EKVM20/06

Cable glands M20x1.5, cable Ø 9-13 mm



077684
EKVM20/09

Contacts

🏠 EUCHNER GmbH + Co. KG
Kohlhammerstraße 16
70771 Leinfelden-Echterdingen

☎ +49 711 7597-0

📠 +49 711 753316

✉ info(at)euchner.de